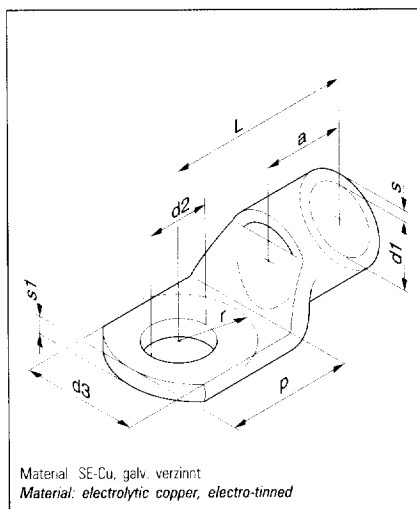
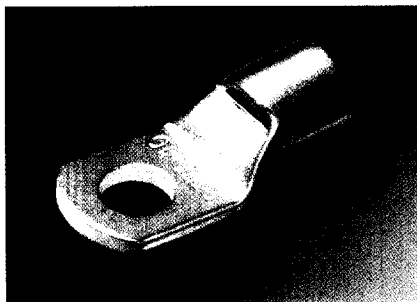


Rohrkabelschuhe

Cable lugs

Kurze Version Short version

Artikel-Nummer Part number	Leiter- querschnitt Wire size mm ²	Bolzen Stud		Abmessungen mm Dimensions mm									Verp.-Einh. Stück Standard packing Piece
		M	d 2	d 3	L	P	S 1	a	d 1	r	s		
RSQ 7400 A 3.5 - 2	2	3.5	3.7	7.2	14.9	9.5	1.2	7.0	2.4	3.6	0.8	2500	
RSQ 7400 A 5 - 2	2	5	5.3	8.7	14.6	10.0	1.0	7.0	2.4	4.4	0.8	2500	
RSQ 7401 A 5 - 2.5	2.5	5	5.3	8.7	14.6	10.0	1.1	7.0	2.7	4.4	0.8	2500	
RSQ 7401 A 6 - 2.5	2.5	6	6.4	10.3	15.8	12.0	0.9	7.0	2.7	5.2	0.8	2500	
RSQ 7402 A 5 - 4	4	5	5.3	8.7	14.6	10.0	1.3	7.0	3.3	4.4	0.85	2000	
RSQ 7402 A 6 - 4	4	6	6.4	10.3	15.8	12.0	1.1	7.0	3.3	5.2	0.85	2000	
RSQ 7403 A 5 - 6	6	5	5.3	8.7	15.6	9.5	1.4	8.0	3.8	4.4	0.85	1000	
RSQ 7403 A 6 - 6	6	6	6.4	10.3	17.8	12.5	1.2	8.0	3.8	5.2	0.85	1000	
RSQ 7404 A 6 - 10	10	6	6.4	11.9	22.0	12.5	1.8	12.0	4.7	5.5	1.1	500	
RSQ 7404 A 8 - 10	10	8	8.3	13.5	23.7	15.5	1.6	12.0	4.7	6.8	1.1	500	
RSQ 7405 A 5 - 16	16	5	5.3	11.9	22.0	12.0	2.2	12.0	5.6	5.5	1.1	500	
RSQ 7405 A 6 - 16	16	6	6.4	11.9	22.0	12.0	2.2	12.0	5.6	5.5	1.1	500	
RSQ 7405 A 8 - 16	16	8	8.3	13.5	24.2	15.5	1.8	12.0	5.6	6.8	1.1	500	
RSQ 7405 A 10 - 16	16	10	10.3	16.0	24.0	16.0	1.5	12.0	5.6	7.5	1.1	500	
RSQ 7406 A 8 - 20	20	8	8.3	13.5	25.2	16.0	1.9	12.0	6.3	6.8	1.1	500	
RSQ 7406 A 10 - 20	20	10	10.3	16.0	26.0	18.0	1.6	12.0	6.3	8.0	1.1	500	
RSQ 7407 A 8 - 25	25	8	8.3	13.5	27.2	16.0	2.4	14.0	7.1	6.8	1.2	250	
RSQ 7407 A 10 - 25	25	10	10.3	16.0	29.0	19.0	2.1	14.0	7.1	8.0	1.2	250	
RSQ 7408 A 8 - 35	35	8	8.3	16.0	31.0	19.7	2.4	15.0	8.6	8.0	1.2	200	
RSQ 7408 A 10 - 35	35	10	10.3	16.0	31.0	19.7	2.4	15.0	8.6	8.0	1.2	200	
RSQ 7409 A 8 - 50	50	8	8.3	18.0	30.0	19.2	3.0	15.0	9.5	9.0	1.5	100	
RSQ 7409 A 10 - 50	50	10	10.3	18.0	30.0	19.2	3.0	15.0	9.5	9.0	1.5	100	
RSQ 7410 A 10 - 70	70	10	10.3	20.6	33.7	22.5	3.0	16.0	11.0	10.3	1.5	100	
RSQ 7410 A 12 - 70	70	12	12.8	20.6	33.7	22.5	3.0	16.0	11.0	10.3	1.5	100	
RSQ 7411 A 10 - 80	80	10	10.3	22.5	33.5	22.0	4.0	16.0	11.8	10.5	2.0	100	
RSQ 7411 A 12 - 80	80	12	12.8	22.5	33.5	22.0	4.0	16.0	11.8	10.5	2.0	100	
RSQ 7412 A 10 - 95	95	10	10.3	24.7	40.5	22.2	3.5	22.0	13.5	10.5	1.75	50	
RSQ 7412 A 12 - 95	95	12	12.8	24.7	40.5	22.2	3.5	22.0	13.5	10.5	1.75	50	
RSQ 7412 A 16 - 95	95	16	16.5	27.0	45.0	29.7	3.2	22.0	13.5	13.5	1.75	50	
RSQ 7413 A 10 - 120	120	10	10.3	28.9	44.0	23.5	4.4	24.0	15.6	11.0	2.2	50	
RSQ 7413 A 12 - 120	120	12	12.8	28.9	44.0	23.5	4.4	24.0	15.6	11.0	2.2	50	
RSQ 7413 A 16 - 120	120	16	16.5	28.9	44.0	23.5	4.4	24.0	15.6	11.0	2.2	50	
RSQ 7414 A 12 - 150	150	12	12.8	30.4	50.0	30.7	4.5	26.0	16.5	15.0	2.25	50	
RSQ 7414 A 16 - 150	150	16	16.5	30.4	50.0	30.7	4.5	26.0	16.5	15.0	2.25	50	
RSQ 7415 A 12 - 185	185	12	12.8	36.9	53.0	29.0	5.2	28.0	20.2	14.0	2.6	25	
RSQ 7415 A 16 - 185	185	16	16.5	36.9	53.0	29.0	5.2	28.0	20.2	14.0	2.6	25	
RSQ 7416 A 16 - 240	240	16	16.5	41.1	66.6	35.0	6.4	37.6	22.1	17.0	3.2	15	

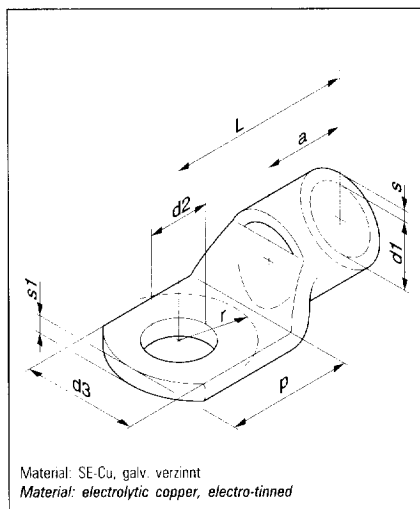


Rohrkabelschuhe

Cable lugs

Lange Version Long version

Artikel-Nummer Part number	Leiter- querschnitt Wire size	Bolzen Stud	Abmessungen mm Dimensions mm										Verp.-Einh. Stück Standard packing Piece
	mm ²	M	d 2	d 3	L	P	S 1	a	d 1	r	s		
RSQ 7400.001 A 2 - 2	2	2	2.4	6.4	14.3	9.5	1.3	6.0	2.4	3.2	0.8	2500	
RSQ 7400.001 A 3 - 2	2	3	3.2	6.4	15.9	11.1	1.3	6.0	2.4	3.2	0.8	2500	
RSQ 7400.001 A 5 - 2	2	5	5.3	8.7	14.7	11.1	1.0	6.0	2.4	4.4	0.8	2500	
RSQ 7400.001 A 6 - 2	2	6	6.4	10.3	21.0	14.7	0.8	9.5	2.4	5.2	0.8	2000	
RSQ 7401.001 A 3 - 2.5	2.5	3	3.2	6.4	18.2	11.4	1.5	8.0	2.7	3.2	0.8	2000	
RSQ 7401.001 A 4 - 2.5	2.5	4	4.3	8.1	17.3	11.4	1.2	8.0	2.7	4.1	0.8	2000	
RSQ 7401.001 A 5 - 2.5	2.5	5	5.3	9.1	16.8	11.4	1.0	8.0	2.7	4.6	0.8	2000	
RSQ 7401.001 A 6 - 2.5	2.5	6	6.4	10.3	20.2	15.5	0.9	8.7	2.7	6.0	0.8	2000	
RSQ 7401.001 A 8 - 2.5	2.5	8	8.3	10.3	20.2	15.5	0.9	8.7	2.7	6.0	0.8	2000	
RSQ 7402.001 A 5 - 4	4	5	5.3	8.7	16.6	11.0	1.3	8.0	3.3	4.4	0.85	1000	
RSQ 7402.001 A 6 - 4	4	6	6.4	10.3	22.6	16.3	1.1	9.5	3.3	5.2	0.85	1000	
RSQ 7402.001 A 8 - 4	4	8	8.3	13.9	21.6	17.1	0.8	9.5	3.3	7.0	0.85	1000	
RSQ 7402.001 A 10 - 4	4	10	10.3	13.9	21.6	17.1	0.8	9.5	3.3	7.0	0.85	1000	
RSQ 7403.001 A 6 - 6	6	6	6.4	10.3	21.8	15.0	1.3	9.5	3.8	5.2	0.85	1000	
RSQ 7403.001 A 8 - 6	6	8	8.3	13.9	21.6	16.6	0.9	9.5	3.8	7.0	0.85	1000	
RSQ 7403.001 A 10 - 6	6	10	10.3	13.9	21.6	16.6	0.9	9.5	3.8	7.0	0.85	1000	
RSQ 7404.001 A 6 - 10	10	6	6.4	11.9	21.0	14.5	1.8	9.5	4.7	6.0	1.1	500	
RSQ 7404.001 A 8 - 10	10	8	8.3	14.3	21.4	16.1	1.5	9.5	4.7	7.2	1.1	500	
RSQ 7404.001 A 10 - 10	10	10	10.3	14.3	21.4	16.1	1.5	9.5	4.7	7.2	1.1	500	
RSQ 7405.001 A 5 - 16	16	5	5.3	11.9	33.7	15.6	2.0	20.6	5.6	6.0	1.1	250	
RSQ 7405.001 A 6 - 16	16	6	6.4	11.9	33.7	15.6	2.0	20.6	5.6	6.0	1.1	250	
RSQ 7405.001 A 8 - 16	16	8	8.3	14.3	32.5	15.6	1.8	20.6	5.6	7.2	1.1	250	
RSQ 7405.001 A 10 - 16	16	10	10.3	14.3	32.5	15.6	1.8	20.6	5.6	7.2	1.1	250	
RSQ 7406.001 A 6 - 20	20	6	6.4	12.7	28.5	11.9	2.1	19.0	6.3	6.4	1.1	250	
RSQ 7406.001 A 8 - 20	20	8	8.3	13.5	35.3	17.5	2.0	20.6	6.3	6.8	1.1	250	
RSQ 7406.001 A 10 - 20	20	10	10.3	14.3	34.9	17.5	1.8	20.6	6.3	7.2	1.1	250	
RSQ 7407.001 A 6 - 25	25	6	6.4	14.7	36.2	17.4	2.3	22.2	7.1	7.4	1.2	200	
RSQ 7407.001 A 8 - 25	25	8	8.3	14.7	36.2	17.4	2.3	22.2	7.1	7.4	1.2	200	
RSQ 7407.001 A 10 - 25	25	10	10.3	16.7	35.2	17.4	2.0	22.2	7.1	8.4	1.2	200	
RSQ 7408.001 A 6 - 35	35	6	6.4	16.0	35.6	17.1	2.3	22.2	6.6	8.0	1.2	200	
RSQ 7408.001 A 8 - 35	35	8	8.3	16.0	35.6	17.1	2.3	22.2	8.6	8.0	1.2	200	
RSQ 7408.001 A 10 - 35	35	10	10.3	16.0	37.5	20.1	2.1	22.2	8.6	9.1	1.2	200	
RSQ 7408.001 A 12 - 35	35	12	12.8	19.8	38.5	21.9	1.9	22.2	8.6	9.9	1.2	200	
RSQ 7409.001 A 8 - 50	50	8	8.3	18.2	42.5	24.6	2.9	22.2	9.5	9.1	1.5	100	
RSQ 7409.001 A 10 - 50	50	10	10.3	19.0	42.1	24.6	2.8	22.2	9.5	9.5	1.5	100	
RSQ 7409.001 A 12 - 50	50	12	12.8	20.6	41.3	24.6	2.6	22.2	9.5	10.3	1.5	100	



Rohrkabelschuhe

Cable lugs

Lange Version Long version

Artikel-Nummer Part number	Leiter- querschnitt Wire size mm ²	Bolzen Stud		Abmessungen mm Dimensions mm									Verp.-Einh. Stück Standard packing Piece
		M	d 2	d 3	L	P	S 1	a	d 1	r	s		
RSQ 7410.001 A 6 - 70	70	6	6.4	20.6	43.7	24.7	3.0	23.8	11.0	10.3	1.5	100	
RSQ 7410.001 A 8 - 70	70	8	8.3	20.6	43.7	24.7	3.0	23.8	11.0	10.3	1.5	100	
RSQ 7410.001 A 10 - 70	70	10	10.3	20.6	43.7	24.7	3.0	23.8	11.0	10.3	1.5	100	
RSQ 7410.001 A 12 - 70	70	12	12.8	20.6	43.7	24.7	3.0	23.8	11.0	10.3	1.5	100	
RSQ 7412.001 A 6 - 95	95	6	6.4	24.7	46.0	23.4	3.5	27.0	13.5	11.2	1.75	50	
RSQ 7412.001 A 8 - 95	95	8	8.3	24.7	46.0	23.4	3.5	27.0	13.5	11.2	1.75	50	
RSQ 7412.001 A 10 - 95	95	10	10.3	24.7	46.0	23.4	3.5	27.0	13.5	11.2	1.75	50	
RSQ 7412.001 A 12 - 95	95	12	12.8	24.7	46.0	23.4	3.5	27.0	13.5	11.2	1.75	50	
RSQ 7412.001 A 16 - 95	95	16	16.5	28.6	60.3	42.4	3.0	25.4	13.5	14.3	1.75	50	
RSQ 7413.001 A 10 - 120	120	10	10.3	28.9	54.5	28.3	4.4	32.5	15.6	13.8	2.2	50	
RSQ 7413.001 A 12 - 120	120	12	12.8	28.9	54.5	28.3	4.4	32.5	15.6	13.8	2.2	50	
RSQ 7413.001 A 16 - 120	120	16	16.5	30.1	53.3	28.3	4.2	32.5	15.6	15.0	2.2	50	
RSQ 7414.001 A 12 - 150	150	12	12.8	30.4	58.6	38.5	4.5	27.0	16.5	15.2	2.25	25	
RSQ 7414.001 A 16 - 150	150	16	16.5	30.4	58.6	38.5	4.5	27.0	16.5	15.2	2.25	25	
RSQ 7414.001 A 20 - 150	150	20	21.0	30.4	58.6	38.5	4.5	27.0	16.5	15.2	2.25	25	
RSQ 7415.001 A 12 - 185	185	12	12.8	36.9	60.1	36.1	5.2	32.5	20.2	18.5	2.6	25	
RSQ 7415.001 A 16 - 185	185	16	16.5	36.9	60.1	36.1	5.2	32.5	20.2	18.5	2.6	25	
RSQ 7416.001 A 16 - 240	240	16	16.5	41.1	98.5	60.5	6.4	47.6	22.1	20.6	3.2	15	

